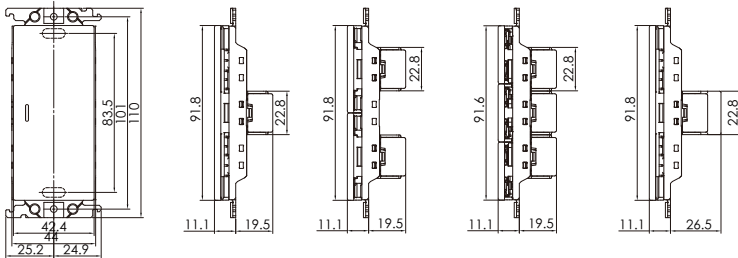


# 尺寸圖 (mm)

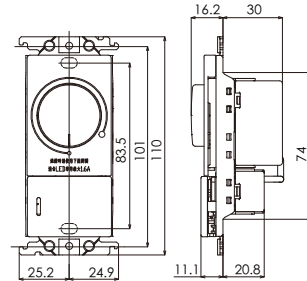
## 埋入式螢光開關C,E

- |           |           |           |           |
|-----------|-----------|-----------|-----------|
| WTRF5152W | WTRF5252W | WTRF5352W | WTRF5154W |
| WTRF5152H | WTRF5252H | WTRF5352H | WTRF5154H |
| WTRF7152W | WTRF7252W | WTRF7352W | WTRF7154W |
| WTRF7152H | WTRF7252H | WTRF7352H | WTRF7154H |



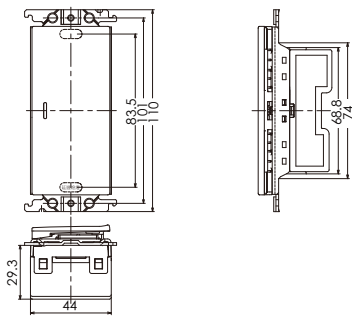
## 埋入式調光開關

- |            |            |            |
|------------|------------|------------|
| WTRF57626W | WTRF57026W | WTRF57016W |
| WTRF57626H | WTRF57026H | WTRF57016H |

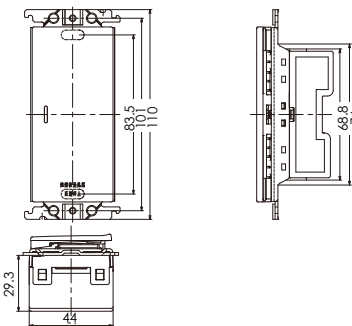


## 埋入式電子延遲熄燈開關B 埋入式洗手間通風開關

- |           |            |
|-----------|------------|
| WTRF5171W | WTRF51712W |
| WTRF5171H | WTRF51712H |

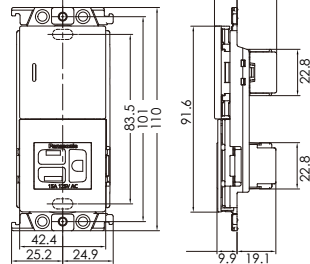


- |           |            |
|-----------|------------|
| WTRF5173W | WTRF51732W |
| WTRF5173H | WTRF51732H |

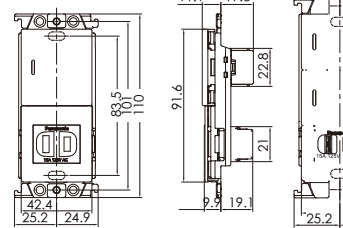


## 埋入式開關·插座組合

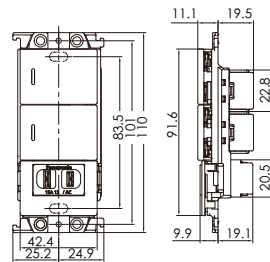
- |           |
|-----------|
| WTRF4308W |
| WTRF4308H |



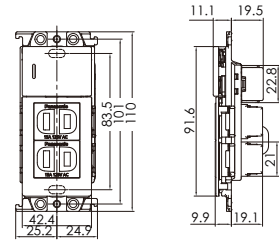
- |           |
|-----------|
| WTRF4306W |
| WTRF4306H |



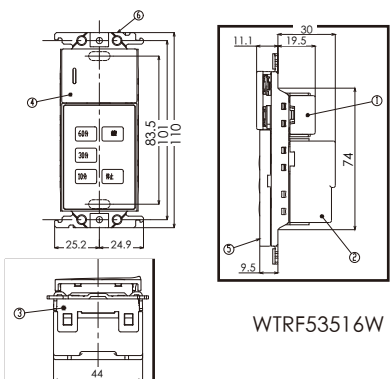
- |           |
|-----------|
| WTRF4336W |
| WTRF4336H |



- |           |
|-----------|
| WTRF4366W |
| WTRF4366H |

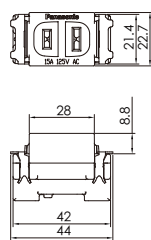


## 埋入式浴室通風開關組合

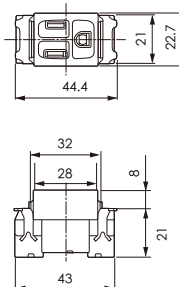


## 埋入式插座

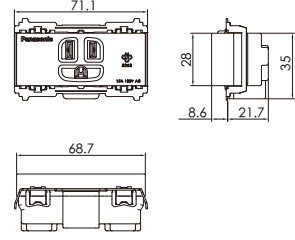
- |          |
|----------|
| WNF1001W |
| WNF1001H |



- |          |
|----------|
| WNF1101W |
| WNF1101H |
| WNF1101R |

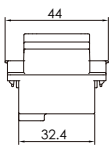
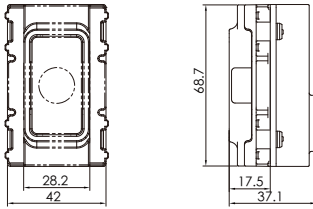


- |           |
|-----------|
| WNF11016W |
| WNF11016H |
| WNF11016R |

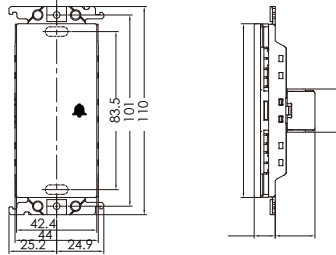


埋入式緊急用押釦  
埋入式電鈴開關

WNF4510W  
WNF4510H

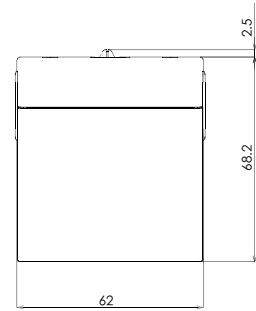
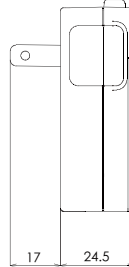


WTRF5401W  
WTRF5401H



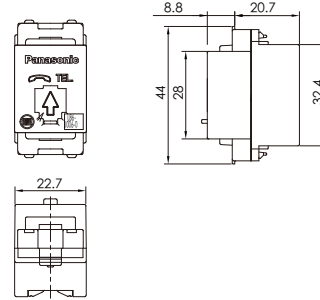
家庭保安燈

WTF4088W  
WTGF4088H

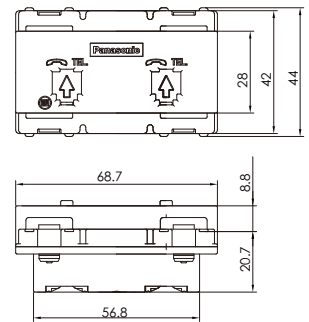


埋入式電話組合式插孔

WNF2162W  
WNF2162H

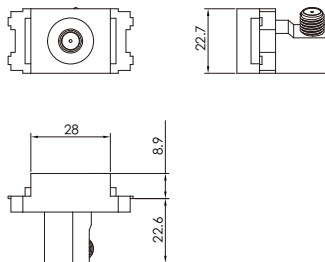


WNF2262W WNF2264W  
WNF2262H WNF2264H

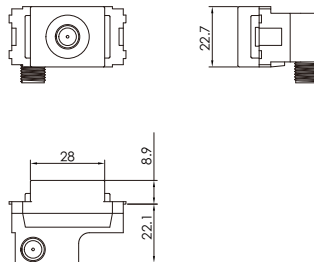


埋入式家庭用高屏蔽電視插座

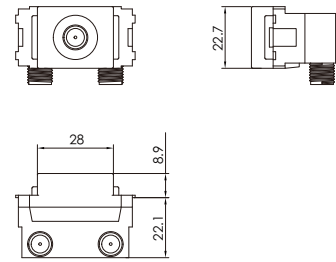
WCSF3880W  
WCSF3880H



WCSF4882W  
WCSF4882H

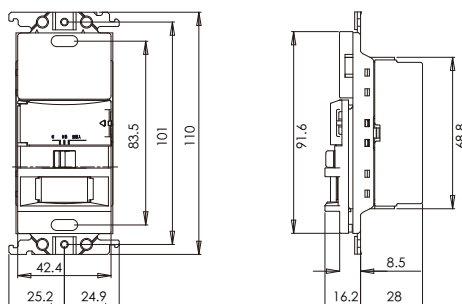


WCSF4881W  
WCSF4881H



埋入式熱感自動開關

WTKF1411W  
WTGF1411H



WTCF5820W  
WTGF5820H

